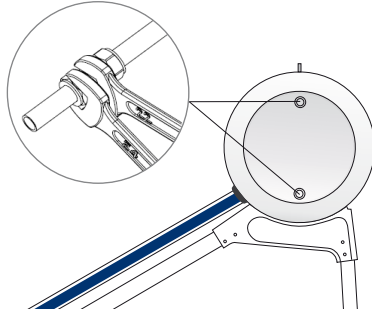


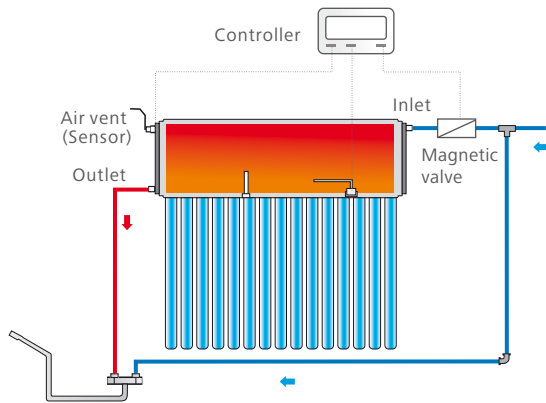
06 Pipe connection

When connecting the pipes, the screw pipes welded on the tank shall be clamped by a spanner and screwed in.

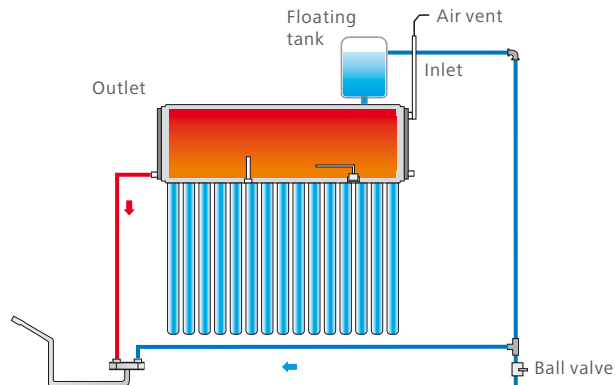


07 System connection in applications

A) Automatic filling system with controller

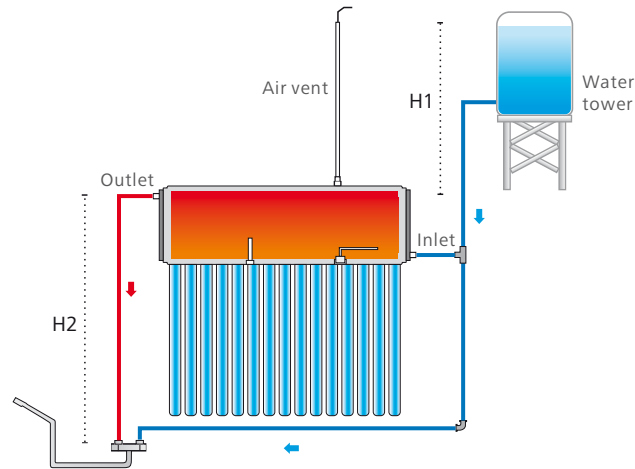


B) Automatic filling system with floating tank

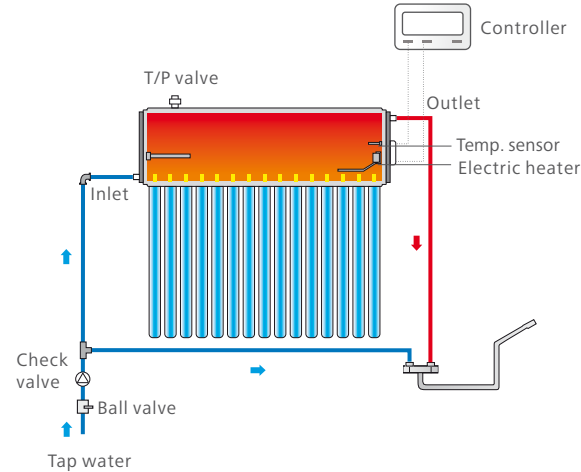


C) Micro pressurized system

- Air vent pipe must be higher than the water level in storage tank.
- H1 must be less than 1.5m, since the non-pressurized tank can not bear high pressure.



D) Standard pressurized system



WARNING!

This installation manual only contains the basic instructions, please feel free to contact us if you have any further questions.



Solar energy changes life!

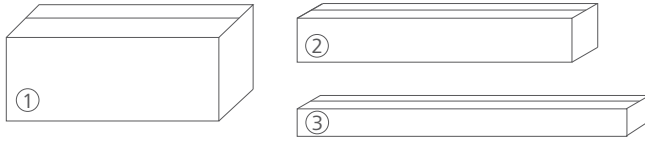
SOLAR WATER HEATER
Installation manual for 30°/42°Series



www.linuo-ritter-international.com
info@linuo-ritter-international.com
TEL: +86 531 8872 9917

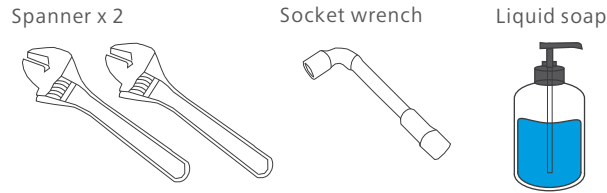
01 Components of a Solar Water Heater

This solar water heater is supplied with water storage tank, brackets and vacuum tubes, which packed in separate boxes.



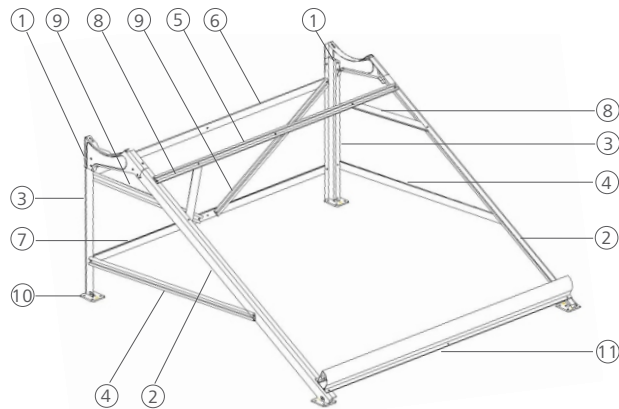
- ① Box for water tank
- ② Box for vacuum tubes
- ③ Box for brackets

02 Tools for installation



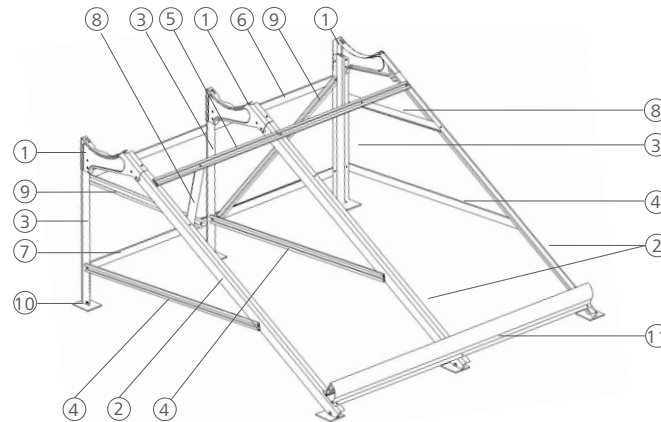
03 Stand assembly

A) For solar water heater less than or equal to 200L



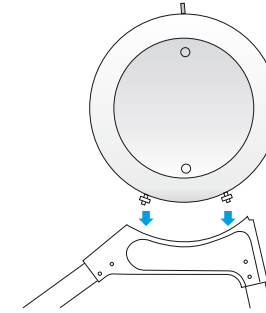
| No. | Parts of stand | Volume ≤ 200L |
|-----|------------------------|---------------|
| ① | Tank holder | 2 pieces |
| ② | Front bracket | 2 pieces |
| ③ | Back vertical bracket | 2 pieces |
| ④ | Profile connecting bar | 2 pieces |
| ⑤ | Front cross-arm | 1 pieces |
| ⑥ | Upper back cross-arm | 1 pieces |
| ⑦ | Under back cross-arm | 1 pieces |
| ⑧ | Front connecting bar | 2 pieces |
| ⑨ | Back connecting bar | 2 pieces |
| ⑩ | Frame feet | 4 pieces |
| ⑪ | Tailstock | 1 pieces |

B) For solar water heater over 200L



| No. | Parts of stand | 200L < volume ≤ 300L |
|-----|------------------------|----------------------|
| ① | Tank holder | 3 pieces |
| ② | Front bracket | 3 pieces |
| ③ | Back vertical bracket | 3 pieces |
| ④ | Profile connecting bar | 3 pieces |
| ⑤ | Front cross-arm | 1 pieces |
| ⑥ | Upper back cross-arm | 1 pieces |
| ⑦ | Under back cross-arm | 1 pieces |
| ⑧ | Front connecting bar | 2 pieces |
| ⑨ | Back connecting bar | 2 pieces |
| ⑩ | Frame feet | 6 pieces |
| ⑪ | Tailstock | 1 pieces |

04 Water tank installation

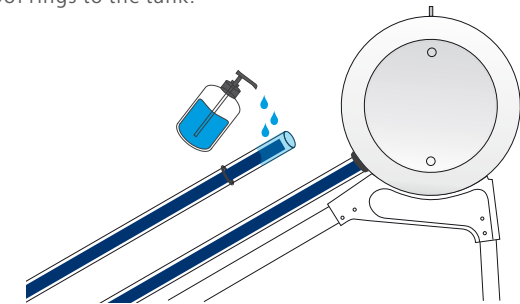


Screw off the nuts from the tank and remove the tank protection film. Then put the tank on the holder and fix it by screwing the nuts through long holes (don't twist the nuts tightly until complete tube installation).

05 Vacuum tube installation

A) For non-pressurized solar water heater

Put the dust-proof rings on the vacuum tubes and lubricate the opening end of the tubes by liquid soap. Then insert the vacuum tubes into the tank perpendicular to the hole direction and push the dust-proof rings to the tank.



B) For pressurized solar water heater

Insert the heat transfer sheets and heat pipes into the vacuum tubes; coat the end of the heat pipes with thermally conductive silicone; put dust-proof rings on the vacuum tubes; slowly boosting the heat pipes into the blind tubes in the water tank; push the dust-proof rings to the tank.

